

规格(承认)书

Specification for approval

※ 方舟 P/N (ARKLED P/N): SM420301/SM410301

※ 客户 P/N (CUSTOMER P/N): _____

※ 产品说明 (DESCRIPTION):

1. 0.3 inch (7.8mm) Digit Height
2. Single Digit Numeric LED Display
3. Ultra Brightness Red

※ 日期 (DATE): 2012-4-23

地址: 江苏省宜兴市张渚镇金张渚工业区宇龙路6号

FACTORY ADD: NO.6 Yulong Road, ZHANGZHU TOWN, YIXING CITY, JIANGSU PROVINCE, P.R.CHINA

Ningbo Branch:

电话 (TEL): **0086-574-86308393**

E-mial: **ark@arkled.net**

传真 (FAX): **0086-574-86308392**

网址(http) : **www.arkled.net**

0.3 Inch Numeric LED Display
Part No: SM420301, SM410301



FEATURES

- High intensity and reliability
- High quality, Low power requirement and low cost
- IC compatible, Easy assembly
- Meet RoHS EU Directive

DESCRIPTION

- The device of this 0.3 inch numeric LED display is made of 4 elements (AlGaInP) material, designed for viewing distance up to 7 meters.
- It can be used in audio equipment, instruments, numeric read out display and so on.
- Standard appearance color is black or grey face and white segment.

Selection Guide

Part No. CC ^[1]	Part No. CA ^[2]	Dice	Iv(mcd) ^[3] @20mA	
			Min.	Typ.
SM420301	SM410301	Ultra Bright Red (AlGaInP)	17	50

Note:

1. CC is Common Cathode.
2. CA is Common Anode.
3. Luminous intensity/ luminous Flux: +/-15%.

0.3 Inch Numeric LED Display
 Part No: SM420301, SM410301



ABSOLUTE MAXIMUM RATINGS AT Ta=25°C

PARAMETER	SYMBOL	ULTRA-BRIGHT RED	UNIT
Power Dissipation Per Segment	PAD	100	mw
Reverse Voltage Per Segment	VR	5	V
Continuous Forward Current Per Segment	IAF	30	mA
Peak Forward Current Per Segment(Duty-0.1,1KHz)	IPF	200	mA
Operating Temperature Range	TOPr	-20°C to 80°C	
Storage Temperature Range	Tstg	-30°C to 85°C	
Lead Soldering Temperature 260°C at 1.6mm From Body for 3 second			

ELECTRICAL/OPTICAL CHARACTERISTICS AT Ta=25°C

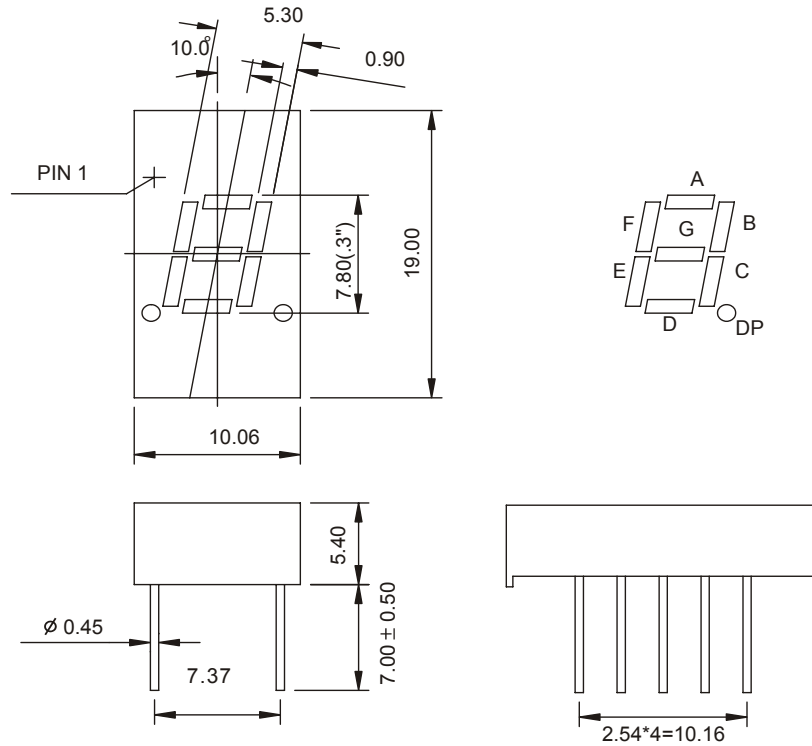
PARAMETER	SYMBOL	TEST CONDITION	Color	TYP	MAX	UNIT
Forward Voltage ,Per Segment	VF	IF=20mA	ULTRA-BRIGHT RED	1.9	2.6	V
Reverse Current , Per Segment	IR	VR=5V	ULTRA-BRIGHT RED		50	μA
Peak Emission Wavelength	λp	IF=20mA	ULTRA-BRIGHT RED	640		nm

0.3 Inch Numeric LED Display

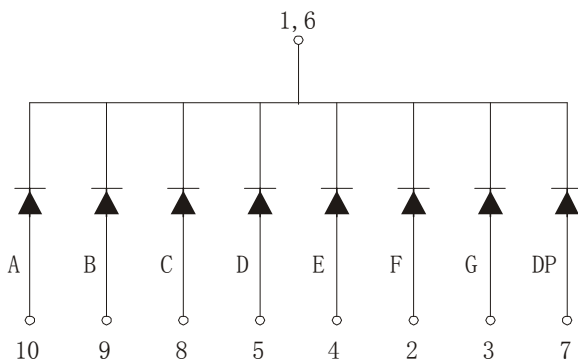
Part No: SM420301, SM410301



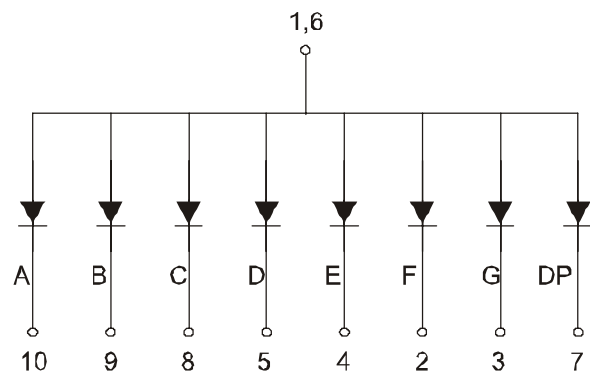
Package Dimensions and Internal Circuit Diagram



SM20301



SM10301



NOTES: 1. all dimensions are in millimeters. (Inches)

2. Tolerance is $\pm 0.25(0.010)$ unless otherwise specified.



Typical Electrical-Optical Characteristics Curves

